

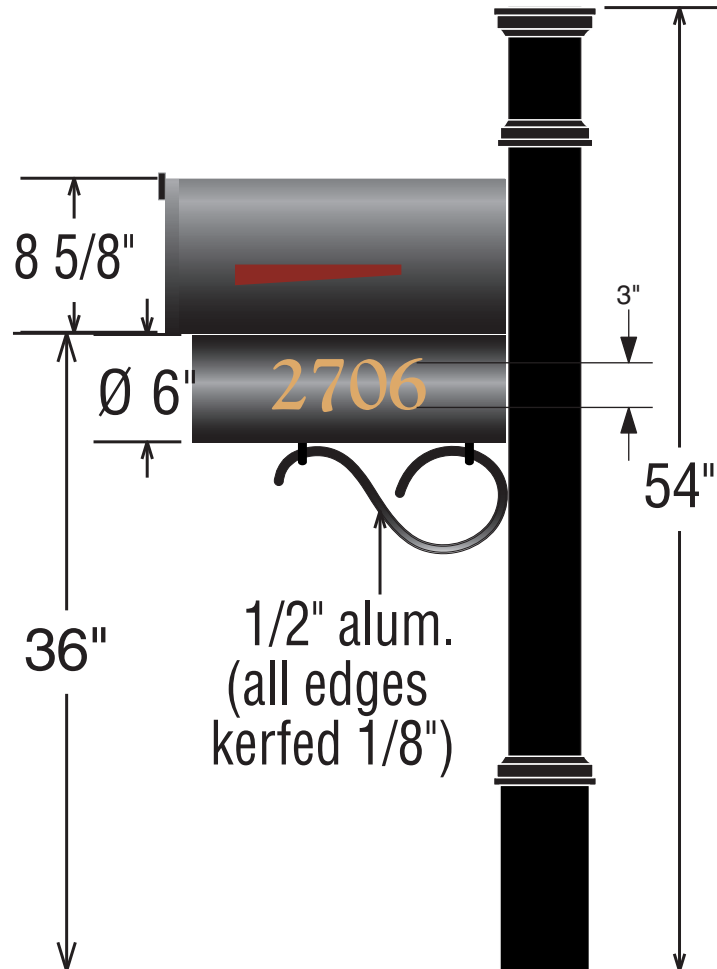
This drawing is the property of Diversified Signs and Graphics, Inc. This drawing is submitted under a confidential relationship for a specified purpose and the recipient, by accepting this document, assumes custody and agrees that this document will not be copied or reproduced in whole or in part, nor its contents revealed in any manner or to any person except to meet the purpose for which it was delivered without express written permission from Diversified Signs & Graphics, Inc.



1123 James Harvey Road  
 P. O. Box 1112  
 York, SC 29745  
 803-628-1121 Phone  
 803-628-1109 Fax

2706

Numbers are 3" High



**Project**

Cureton

**Client**

Cunnane Group

**Job Number**

**Scale**

No Scale

**Date.rev.**

August 3, 2009

**Sign Type** Mailbox  
**Quantity** ( 2 as shown )  
**Materials** Mailbox; paper tube; custom alum. bracket  
 Post: 4' sq. x 5' AG + sleeved base/cap/trim pieces  
 Reflective vinyl  
**Mounting** Direct burial post  
**Fonts** Goudy

**Colors**  
 Black - decorative alum. post; bracket; mailbox  
 Reflective Gold

Colors shown in this drawing are for presentation purposes only.  
 Actual colors may vary.

**Approved**  
 **Approved As Noted**  
*Initial & Date Below:*